

| LOC | DIST | REVISIONS | | | |
|-----|------|-----------------------------|-----------|-----|------|
| P | LTN | DESCRIPTION | DATE | OWN | APVD |
| B1 | | REVISED PER PCN E-18-005403 | 30APR2018 | JA | DM |
| B2 | | REVISED PER PCN E-18-013976 | 03SEP2018 | SS | DM |
| B3 | | REVISED PER PCN E-19-004598 | 15MAR2019 | DD | DM |
| C | | REVISED PER PCN E-19-014633 | 24APR2019 | NS | RM |

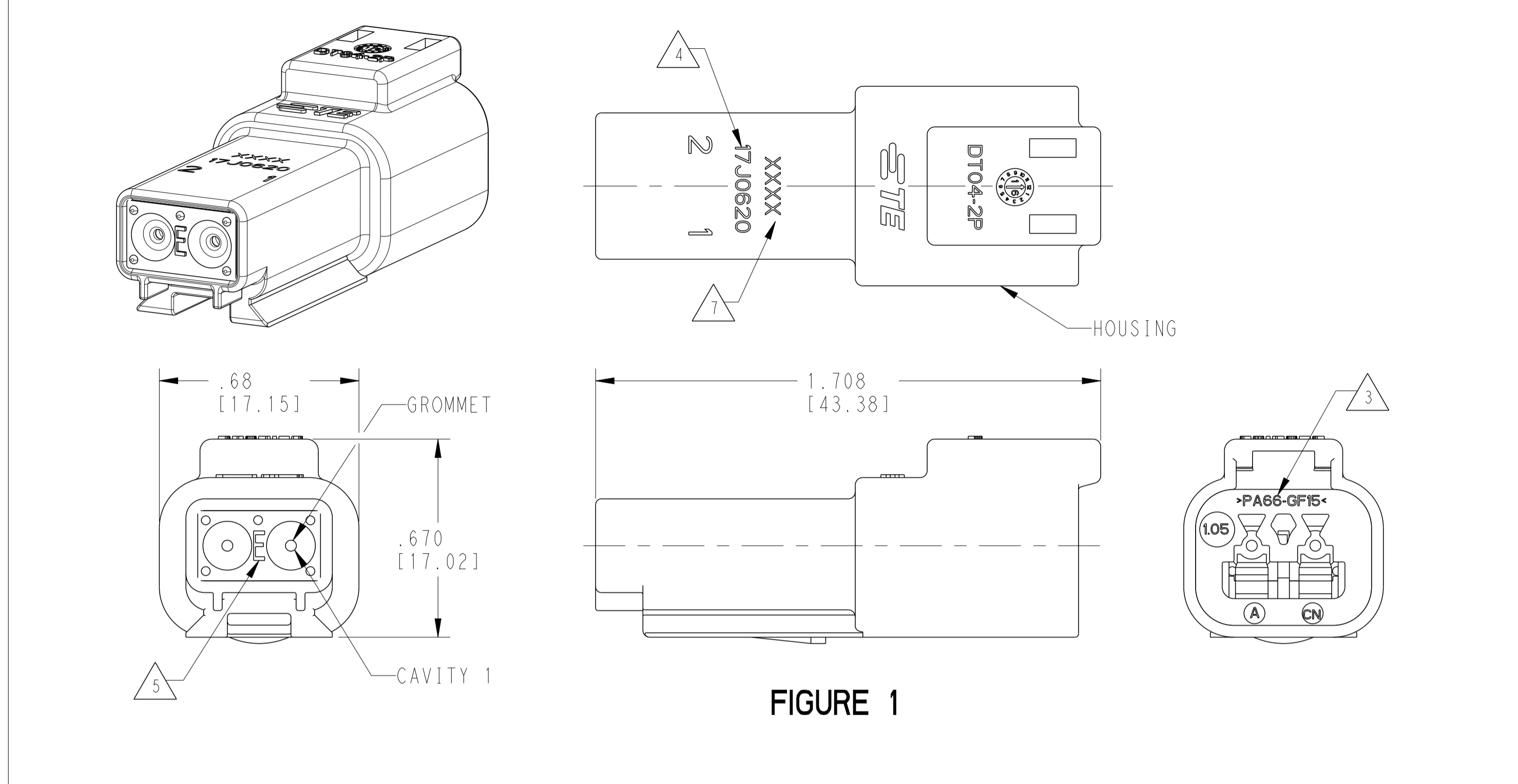


FIGURE 1

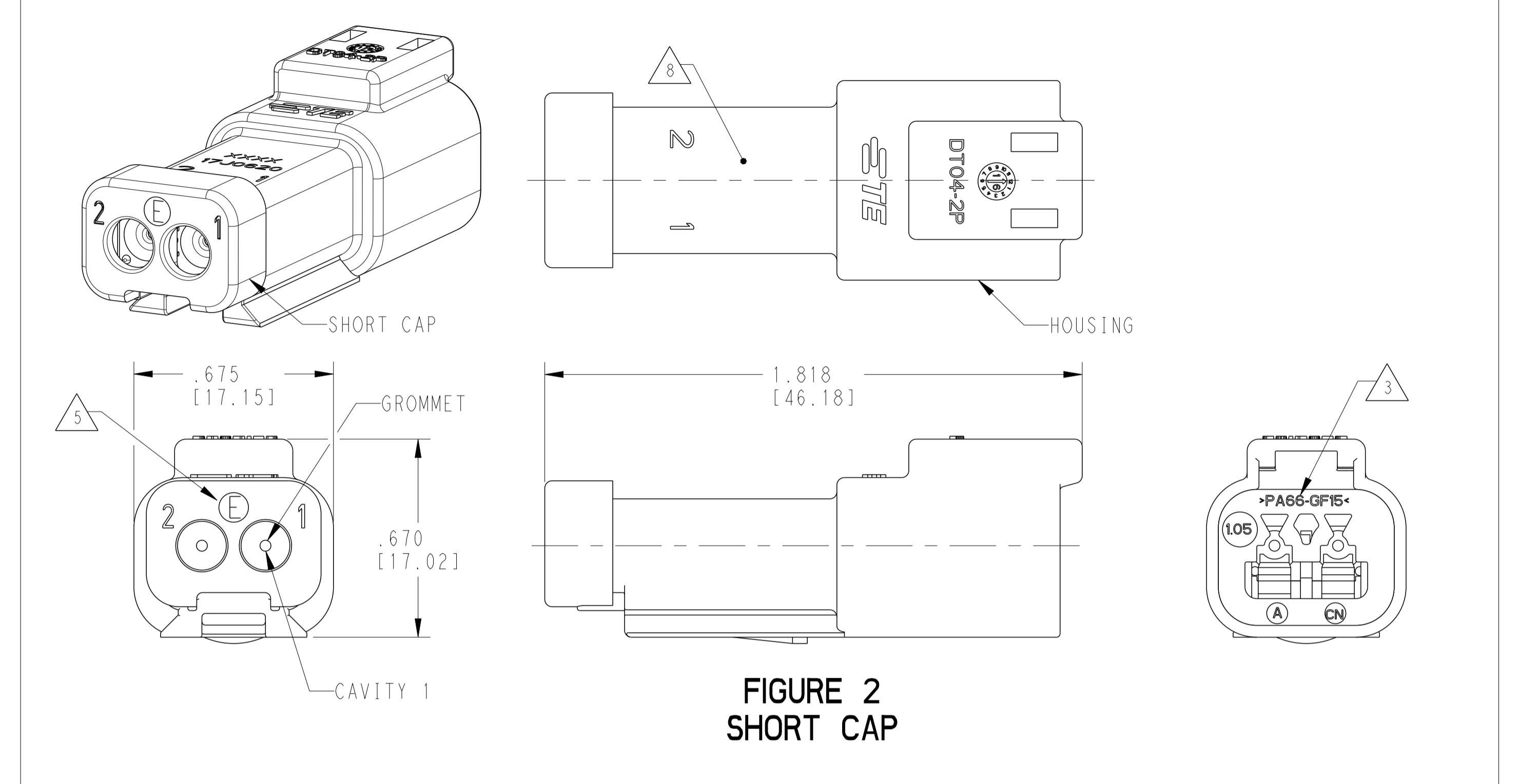


FIGURE 2
SHORT CAP

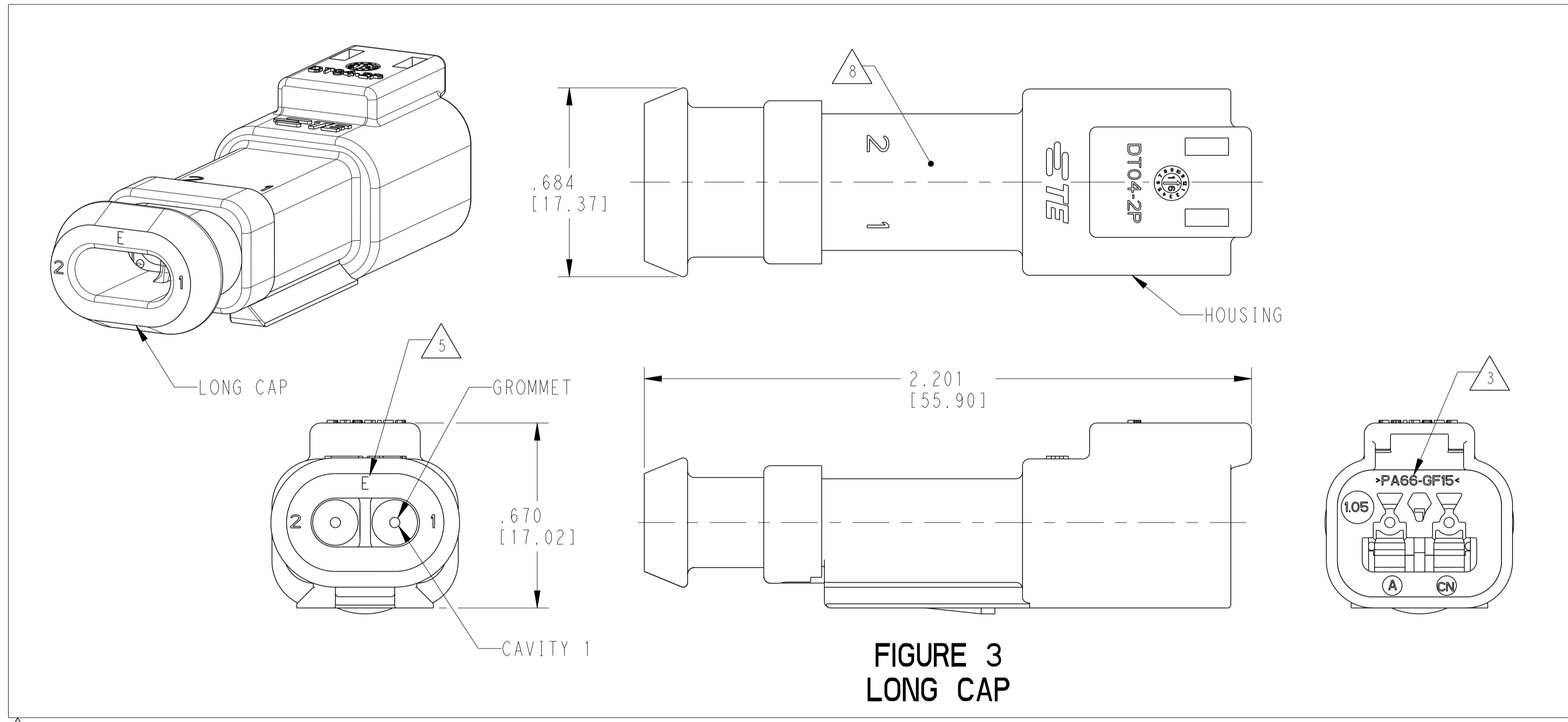


FIGURE 3
LONG CAP

| CONTACT SIZE | WIRE RANGE | INSULATION OD SEALING RANGE | SEAL IDENTIFICATION |
|--------------|--|-----------------------------|---------------------------|
| 16 | 14-20 AWG [2.5-0.5mm ²] | .088-.145 [2.23-3.68] | STANDARD SEAL |
| | | .053-.120 [1.35-3.05] | EXTRA THIN SEAL E-SEAL |

| TE INTERNAL PART NUMBER | DEUTSCH PART NUMBER | PN REV | COLOR | STANDARD SEAL GROMMET | EXTRA THIN SEAL E-SEAL GROMMET | SHORT CAP | LONG CAP | FIGURE |
|-------------------------|---------------------|--------|-------|-----------------------|--------------------------------|-----------|----------|--------|
| DT04-2P | DT04-2P | A | GREY | X | | | | 1 |
| DT04-2P-C015 | DT04-2P-C015 | B | GREY | | X | | | 1 |
| DT04-2P-CE01 | DT04-2P-CE01 | B | GREY | | X | X | | 2 |
| DT04-2P-CE04 | DT04-2P-CE04 | C | GREY | | X | | X | 3 |
| DT04-2P-E003 | DT04-2P-E003 | A | GREY | X | | | X | 2 |
| DT04-2P-E008 | DT04-2P-E008 | A | GREY | X | | | X | 3 |
| DT04-2P-EP04 | DT04-2P-EP04 | B | GREY | X | | X | | 2 |
| DT04-2P-P004 | DT04-2P-P004 | B | GREY | X | | | | 1 |
| DT04-2P-CE02 | DT04-2P-CE02 | B | BLACK | | X | | | 1 |
| DT04-2P-CE03 | DT04-2P-CE03 | B | BLACK | | X | X | | 2 |
| DT04-2P-CE09 | DT04-2P-CE09 | B | BLACK | | X | | X | 3 |
| DT04-2P-E004 | DT04-2P-E004 | A | BLACK | X | | | | 1 |
| DT04-2P-E005 | DT04-2P-E005 | A | BLACK | X | | | X | 2 |
| DT04-2P-EE01 | DT04-2P-EE01 | A | BLACK | X | | | X | 3 |

4 DATE CODE: IDENTIFIES THE YEAR, MONTH, DAY AND HOUR OF ASSEMBLY.
 YEAR: FIRST AND SECOND DIGITS. (17 = 2017)
 MONTH: THIRD DIGIT, EXCLUDING I. A = JAN, B = FEB, C = MARCH ... (K = OCTOBER)
 DAY: FOURTH AND FIFTH DIGITS (14 = 14th DAY)
 HOUR: SIXTH AND SEVENTH DIGITS (11 = 11AM)

3 MATERIAL: HOUSING, PA66 GF15. SEE TABLE FOR COLOR
 SHORT, LONG CAP: PA66 GF15, SEE TABLE FOR COLOR
 GROMMET: E-SEAL VMO (BURNT RED)
 N-SEAL VMO (RED-ORANGE)

8 ADDITIONAL MARKING PER NOTE 4 AND 7 EXCLUSIVELY FOR PARTS WITH CAPS PRODUCED IN CHINA.

7 XXXX IDENTIFIES THE MODIFICATION NUMBER, IF APPLICABLE. EXAMPLE: "E003" FOR DT04-2P-E003, OR BLANK FOR DT04-2P.

6. FOR CONTACTS AND WIRE PERFORMANCE AND APPLICATION CHARACTERISTICS SEE CUSTOMER DRAWING 0425-015-0000.

5 "E" IDENTIFIES E-SEAL.

2. THIS RECEPTACLE MATES WITH DT06-2S-XXXX PLUG.
 (XXXX = ALL MODIFICATIONS)

1. SECONDARY WEDGE LOCK SOLD SEPARATELY: W2PX-XXXX.
 (X = A,B,C,D KEY, XXXX = ALL MODIFICATIONS)

NOTES: UNLESS OTHERWISE SPECIFIED

THIS DRAWING IS A CONTROLLED DOCUMENT. DWG: JAIME C. APOSTOL 16 JUN 2016
 CHK: D. MEYER 16 JUN 2016
 APVD: D. MEYER 16 JUN 2016
 PRODUCT SPEC: 108-151009
 APPLICATION SPEC: 114-151009

STE TE Connectivity

NAME: 2 WAY RECEPTACLE, STANDARD SEAL EXTRA THIN SEAL, SHORT CAP AND LONG CAP, DT SERIES
 SIZE: A1 CAGE CODE: 4AFU8 DRAWING NO: DT04-2P-XXXX
 RESTRICTED TO: -

CUSTOMER DRAWING SCALE: 3:1 SHEET: 1 OF 1 REV: C